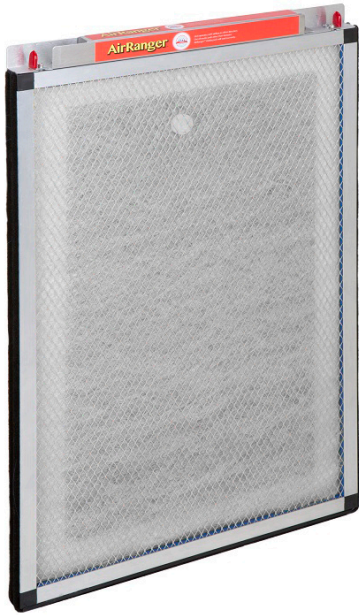


CLEAN AIR DEFENSE SYSTEM
PROTECT YOUR AIR SPACE



Whole-House High Efficiency Air Cleaner

The Clean Air Defense System AirRanger Whole-House High Efficiency Air Cleaner installs directly into the 1" filter track(s) in the existing heating and cooling system. Its electronically enhanced media combines elements of both electronic and media air cleaners. Particles are electrically charged (polarized) and then collected in the high efficiency media. Polarized sub-micron particles join with other particles and are collected on subsequent passes.



Actual unit may vary depending on size



FAST INSTALLATION

- No costly ductwork modifications required.
- Wires directly to 24-volt R and C terminals on most IFC boards or plugs directly into 110V wall outlet.

EFFICIENT

- 97% efficient at .3 microns.
- Efficiency increases as the media fibers load.

REMOVES ODORS

- Patented activated-carbon center screen with C3™ technology is effective in removing cigarette smoke, pollen, dust, odors, and other contaminants.

ECONOMICAL OPERATION

- Low static pressure drop lets blower run efficiently.
- Low power consumption.

EASY MAINTENANCE

- No washing of components required.
- The disposable fiber media pads require only a few minutes to change.
- Media pads are generally changed every 3 to 4 months, depending on household conditions such as the presence of pets and/or smokers.

SAFE, QUIET, DEPENDABLE OPERATION

- Runs on 24Volts that feeds a high voltage power supply producing 7,000 volts of DC output current. Its extremely high internal impedance makes it very safe and virtually short-circuit proof.
- Does not produce ozone or arcing like other electronic air cleaners.
- Does not produce charged (ionized) particles that collect on clothes, walls and furnishings.

WARRANTY

- Limited Lifetime Warranty when using only GENUINE replacement media and when serviced as part of a regularly scheduled service maintenance program.

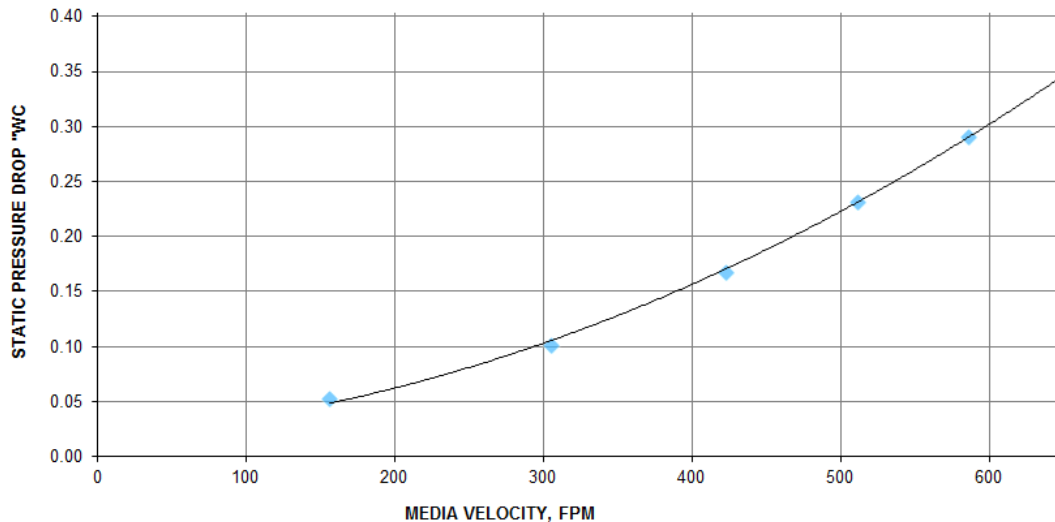
Performance Data	
Electrical Input:	24 VAC
Powerhead Output Voltage:	7 kV (DC)
Power Consumption:	1.4 Watts
Powerhead Volt/Amps Draw:	1.45 VA
Maximum Face Velocity:	500 fpm
Ozone Generation:	None

Efficiency Comparison

Particle Size	Contaminant(s)	AirRanger Air Cleaner	Other 4-6" Pleated Filters
		Capture Efficiency	
3-10 microns	pollen, mold, dust mites, hairspray	99%	98%
1-3 microns	auto emissions, lead dust, large bacteria	98%	Not Effective
.3-1 micron	smoke (tobacco, cooking), small bacteria, fine dust, paint pigments	97%	Not Effective
<.3 micron	VOCs (odors, off gases including formaldehyde from carpets, furniture and cleaning products)	40%	Not Effective

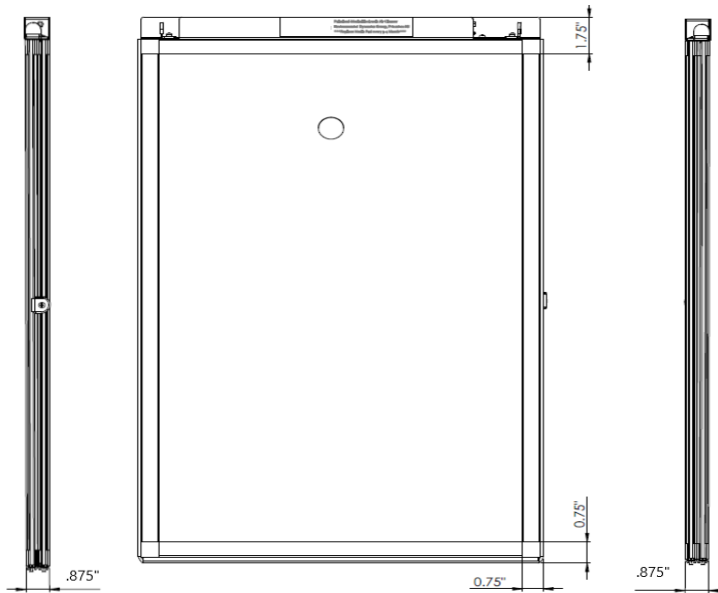
Pressure Drop Data

AirRanger Whole-House High Efficiency Air Cleaners feature a media pad with a patented center screen material featuring *C3 Technology™*. The center screen utilizes a Conductive plastic Carbon Composite mesh material that translates to a low pressure drop without compromising air cleaner efficiency or performance.



Dimension Data (standard sizes)

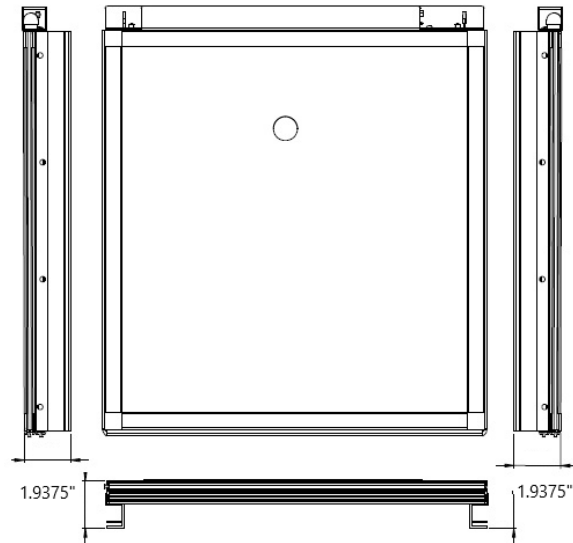
AirRanger Whole-House High Efficiency Air Cleaners are available in the following standard sizes: 12X12, 12X20, 12X24, 14X14, 14X20, 14X24, 14X25, 14X30, 15X20, 16X20, 16X24, 16X25, 16X30, 18X18, 18X20, 18X24, 18X30, 20X20, 20X22, 20X24, 20X25, 20X30, 24X24, 24X30, 25X25, 16-1/2X21-5/8, 20X21-5/8, 21-1/2X23-1/4. Custom sizes are also available.



Note: Unit dimensions are 1/4" under nominal filter sizes.

Retrofit Models

AirRanger Whole-House High Efficiency Air Cleaners are also available in several models as a retrofit to slide into existing media or electronic air cleaner cabinets.



Operation

Each unit is shipped with a power supply cord that plugs into the air cleaner and wires directly to the "R" and "C" terminals located on most gas furnace integrated control boards. Refer to the AirRanger Whole-House High Efficiency Air Cleaner Installation Instructions & Consumer Information for details.

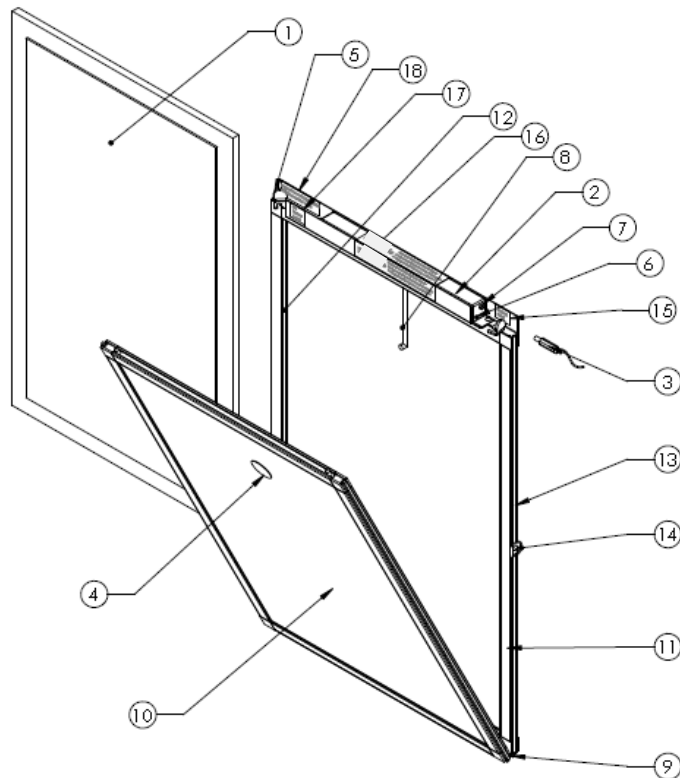
An optional 110V step-down transformer allows the appliance to be plugged directly into any standard wall outlet.

Maintenance & Filter Media Pad Replacement

The only scheduled maintenance for the AirRanger Whole-House High Efficiency Air Cleaner is periodic replacement of the Replacement Media Pads. This is typically done every 3 to 4 months.

WARNING: FAILURE TO CHANGE THE MEDIA PAD ON A REGULAR BASIS COULD REDUCE AIRFLOW AND CAUSE DAMAGE TO THE HEATING AND COOLING SYSTEM.

<u>Item</u>	<u>Description</u>
1	Replacement Media Pad
2	Powerhead (inside top channel)
3	Power Cord
4	Electrode Insulator Button
5	Latch
6	Power ON Light
7	Power Input Jack
8	Electrode
9	Hinge
10	Screen
11	Frame
12	Spline
13	Brush Seal
14	Optional D-Ring Handle
15	Warning Label
16	Brand Label
17	Patents Label
18	Media Size Label



Clean Air Defense System
P.O. Box 1258
Princeton, NJ 08542
(800) 578-7873
www.CleanAirDefense.com

Specifications are subject to change without notice.
AirRanger and Clean Air Defense System are registered
trademarks of Environmental Dynamics Group,
Princeton, New Jersey